

COOLEEDGE™

COOLEEDGE CUL LISTED 90W LED DRIVER INSTALLATION MANUAL

Read instructions prior to installation.

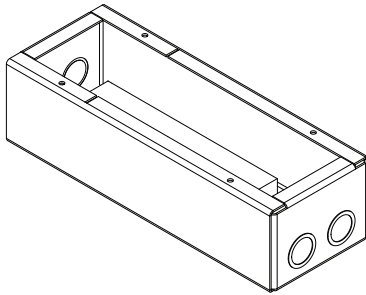
Installation must be completed by a qualified electrician in accordance with all national and local electrical and construction codes.

Ensure power is off prior to installation.

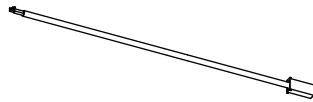
Cooledge TILE Interior and LINE products are dry location rated only.

Cooledge TILE Interior and LINE products must be powered by a Cooledge approved constant voltage Class 2 or LPS LED Driver.

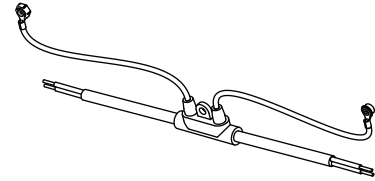
Using a non-approved power source could damage the system and will void the warranty.



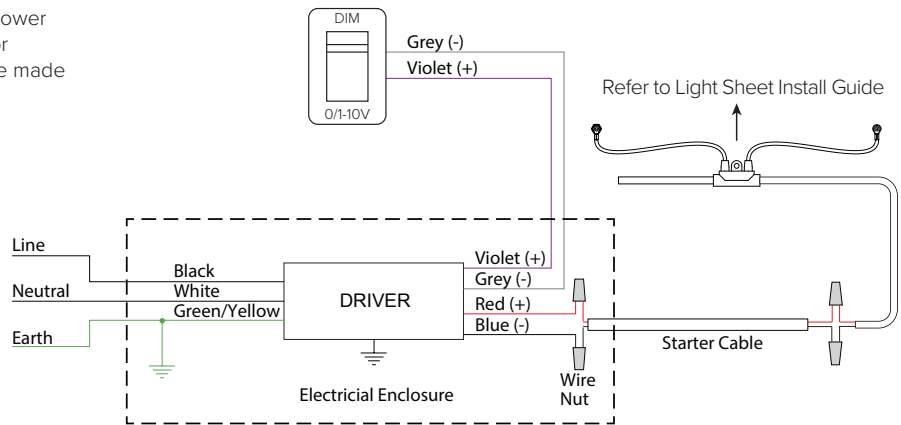
LINE Starter Cable



TILE T-Cable



WARNING - DO NOT CONNECT the AC power directly to the Cooledge TILE or T-Cable or Starter Cable. All AC connections are to be made within the LED driver enclosure.



1. Mount the enclosed LED Driver at the required location using appropriate fasteners. If driver is to be recessed in a wall or ceiling, ensure proper access is available.
2. Connect the bare conductors of the Starter Cable to the red and black conductors on the LED Driver inside the enclosure using wire nuts (or other method approved by local electrical codes).
3. Make the AC connection to the LED Driver using a method approved by local electrical codes.
4. If connecting a 0-10V or 1-10V dimmer, ensure that the grey and violet wires from the dimmer are connected to the corresponding wires on the LED Driver.
5. Refer to EXT-0066 (TILE Interior) or EXT-0016 (LINE) for more detailed installation instructions.

CE RoHS



5 Year Limited Warranty:
Parts and workmanship